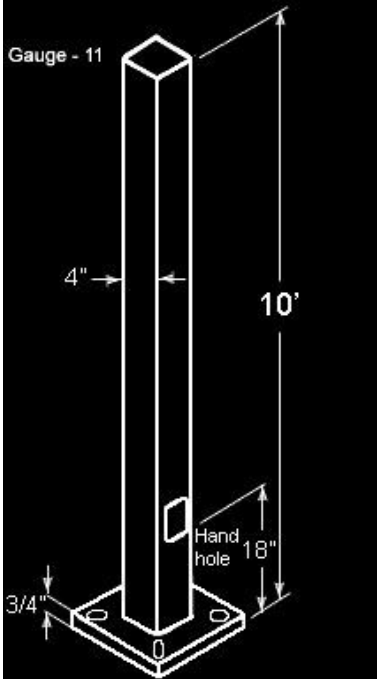


1547080

**DIMENSIONS**



**SPECIFICATIONS**

**Base Plates:**

Slotted base plates 36,000 p.s.i.

**Hand Holes:**

Reinforced with grounding lug and removable cover.

**Shaft:**

46,000 p.s.i. minimum yield

**Shipping Protection:**

All poles are shipped in individual corrugated cartons to prevent finish damage.

**Surface Preparation:**

All poles are blasted to a SP6 or better surface finish to remove all dirt, mill scale, oxides and other foreign matter. Blasting is performed with abrasives conforming to SAE Shot Number S230. Surfaces are coated with a TGIC polyester or urethane powder to a minimum dry film thickness per powder manufacturer's recommendations. The coating is electrostatically applied and cured in a gas-fired convection oven by heating the steel substrate to the powder manufacturer's specifications.

**Terms of Sale:**

No provisions have been made for banners, pendants, signs, flags, overhead wiring or other items that might be fastened to the pole. Local soil conditions determine the type of foundation required for each pole. The capacities shown are based on a 24" off center load.

**Anchor Bolt:**

3/4" x 17" x 3" Galvanized anchor bolts and galvanized hardware and anchor bolt template. Bolts can be pre-shipped upon request for additional freight charge. All bolts have a 3" hook. Templates shipped with anchor bolts and available

**Base Dimension:**

8"

**Bolt Circle:**

8-9"

**Gauge:**

11

**Hand Hole Dimensions:**

3" x 5"

**Height:**

10 FT

**MaxEPA's/Max Weights:**

70MPH: 27.6 ft<sup>2</sup>/690 lb

80MPH: 21.1 ft<sup>2</sup>/530 lb

90MPH: 16.4 ft<sup>2</sup>/410 lb

100MPH: 13.1 ft<sup>2</sup>/330 lb

110MPH: 10.5 ft<sup>2</sup>/265 lb

120MPH: 8.6 ft<sup>2</sup>/215 lb

130MPH: 7.0 ft<sup>2</sup>/175 lb

140MPH: 5.8 ft<sup>2</sup>/145 lb

150MPH: 4.8 ft<sup>2</sup>/120 lb

**Shaft Size:**

4"

**Wall Thickness:**

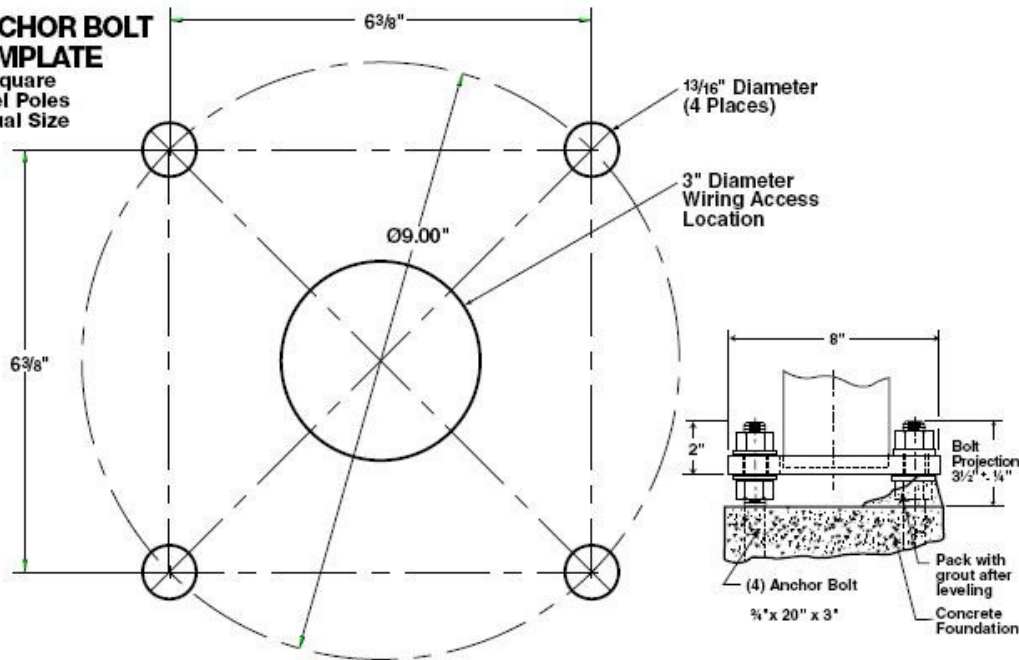
1/8"

**Color:**

Bronze

**Weight:**

**ANCHOR BOLT TEMPLATE**  
4" Square Steel Poles  
Actual Size



**Parts list for this kit:**

Description	Qty.
3/4" x 20" x 3" anchor bolt	4
3/4" hex nut	8
3/4" flat washer	8
Paper template	1

[www.parkinglotlightpoles.org](http://www.parkinglotlightpoles.org)

Tel: 312-473-1382

E-mail: [sales@parkinglotlightpoles.org](mailto:sales@parkinglotlightpoles.org)